

**PLEASE CHECK WWW.MOLEX.COM FOR LATEST PART INFORMATION**

**Part Number:** **0194340003**  
**Status:** **Active**  
**Overview:** mx150l sealed connector system  
**Description:** MX150L™ Female Terminal for 10-12 AWG Wire

**Documents:**

[Drawing \(PDF\)](#) [RoHS Certificate of Compliance \(PDF\)](#)  
[Product Specification PS-19432-001 \(PDF\)](#)

**Agency Certification**

CSA LR18689  
 UL E152602

**General**

Product Family Crimp Terminals  
 Series 19434  
 Comments UL E152602  
 Crimp Quality Equipment Yes  
 Overview mx150l sealed connector system  
 Product Literature Order No 987650-2181  
 Product Name MX150L™

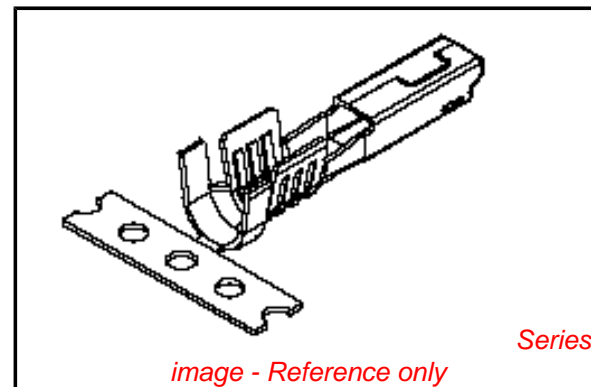
**Physical**

Gender Female  
 Material - Metal Copper  
 Material - Plating Mating Tin  
 Packaging Type Bag  
 Wire Insulation Diameter 3.94mm-4.45mm (.155-.175")  
 Wire Size AWG 10, 12  
 Wire Size mm² N/A

**Material Info**

**Reference - Drawing Numbers**

Packaging Specification PK-19434-001  
 Product Specification PS-19432-001  
 Sales Drawing SD-19434-001



*image - Reference only*

**EU RoHS**

**ELV and RoHS  
 Compliant**  
**REACH SVHC  
 Contains SVHC: No**  
**Halogen-Free  
 Status**

**China RoHS**



**Need more information on product  
 environmental compliance?**

Email [productcompliance@molex.com](mailto:productcompliance@molex.com)  
 For a multiple part number RoHS Certificate of  
 Compliance, [click here](#)

Please visit the [Contact Us](#) section for any  
 non-product compliance questions.

**Search Parts in this Series**

19434Series

**Mates With**

19431 Male Terminal

**Use With**

19432 Female Receptacle

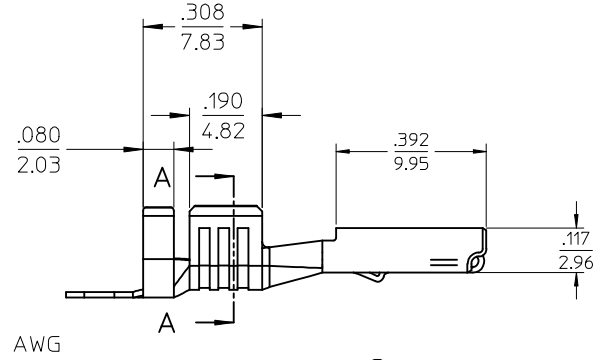
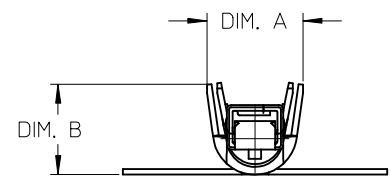
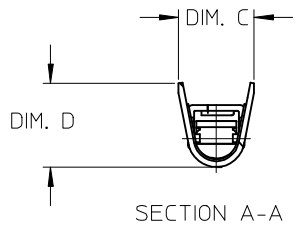
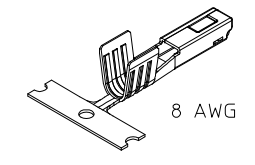
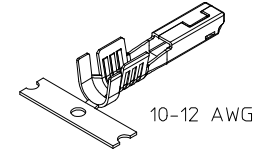
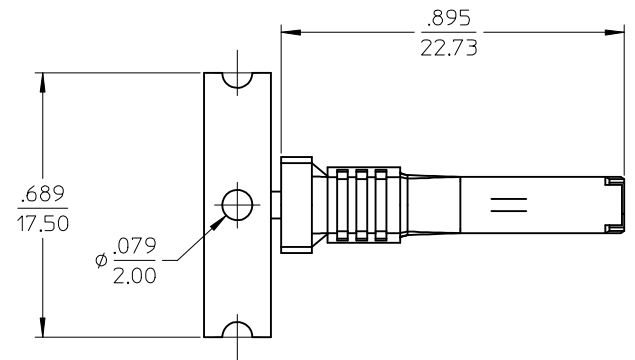
**Application Tooling | FAQ**

*Tooling specifications and manuals are  
 found by selecting the products below.  
 Crimp Height Specifications are then  
 contained in the Application Tooling  
 Specification document.*

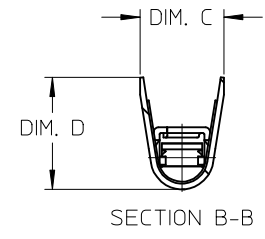
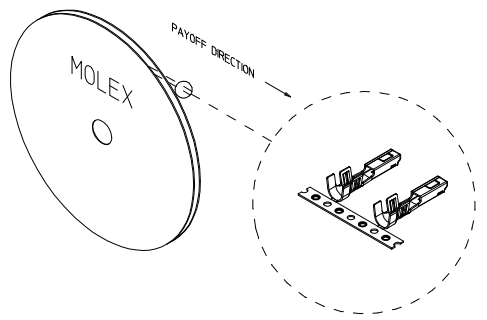
**Global**

Description	Product #
Hand Crimp Tool	<u>0638115300</u>

STRIP MATERIAL NUMBER	LOOSE PIECE MATERIAL NUMBER	AWG SIZE	DIM. "A"	DIM. "B"	DIM. "C"	DIM. "D"
194340001	194340003	10-12	.250/6.35	.236/6.00	.197/5.00	.220/5.60
194340002	194340004	8	N/A	N/A	.240/6.10	.276/7.00

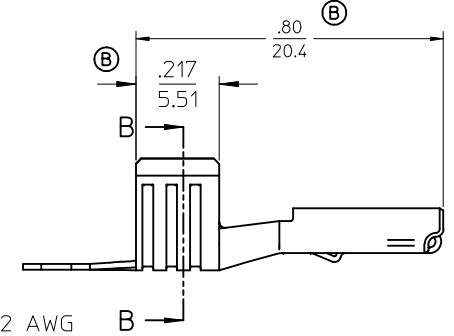


10-12 AWG



SECTION B-B

8 AWG  
SAME AS 10-12 AWG  
EXCEPT AS NOTED



- NOTES:
- MATERIAL: COPPER ALLOY.
  - FINISH: PREPLATED AND REFLOWED OVERALL.  
100μ TIN OVER 50μ NICKEL, MINIMUM.
  - TERMINALS FOR USE WITH 19432\*\*\*\* RECEPTACLE HOUSING ASSEMBLY.
  - PRODUCT SPECIFICATION: PS-19431-001.
  - PACKAGING SPECIFICATION: PK-19434-001.
  - APPLICATION TOOLING AND CRIMP SPECIFICATIONS: CONSULT FACTORY

<b>UPDATED DIMS &amp; NOTES</b> EC NO: WNA2009-0796 DRWN: BRUPERT 2005/10/05 CHKD: JPAWLICK 2009/06/04 APPR: RDEROSS 2009/07/10	QUALITY SYMBOLS ▽ - 0 ▽ - 0	GENERAL TOLERANCES (UNLESS SPECIFIED) 4 PLACES ± --- ± --- 3 PLACES ± --- ± .010 2 PLACES ± 0.25 ± .02 1 PLACE ± 0.5 ± --- ANGULAR ± 3°	SCALE 4:1 DESIGN UNITS INCH DIMENSION STYLE IN/MM	THIRD ANGLE PROJECTION REVISE ON CAD ONLY
	DRAFT WHERE APPLICABLE MUST REMAIN WITHIN DIMENSIONS	DRAWN BY BRUPERT CHECKED BY JPAWLICK APPROVED BY RDEROSS	DATE 01/25/05 DATE 01/25/05 DATE 01/25/05	TITLE FEMALE RECEPTACLE MX150L TERMINAL, 10-12.8 AWG AWG, .098/2.50X.031/0.79
	THIS DRAWING CONTAINS INFORMATION THAT IS PROPRIETARY TO MOLEX INCORPORATED AND SHOULD NOT BE USED WITHOUT WRITTEN PERMISSION	MATERIAL NO. SEE CHART DOCUMENT NO. SD-19434-001	SHEET NO. 1 OF 1	MOLEX MOLEX INCORPORATED
	MOLEX			